

DIGITAL PRESSURE SENSOR

(Two Output) Series PS

Cat No PS - 01 - 01 - B

Digital Pressure Sensor - R1/8

Features

- Set pressure selectable (Mpa, psi, kgf/cm², bar)
- Both upper and lower limits of pressure can be set independently
- Panel mountable
- Direct mountable
- Both PNP & NPN versions
- Two outputs



Technical Specifications

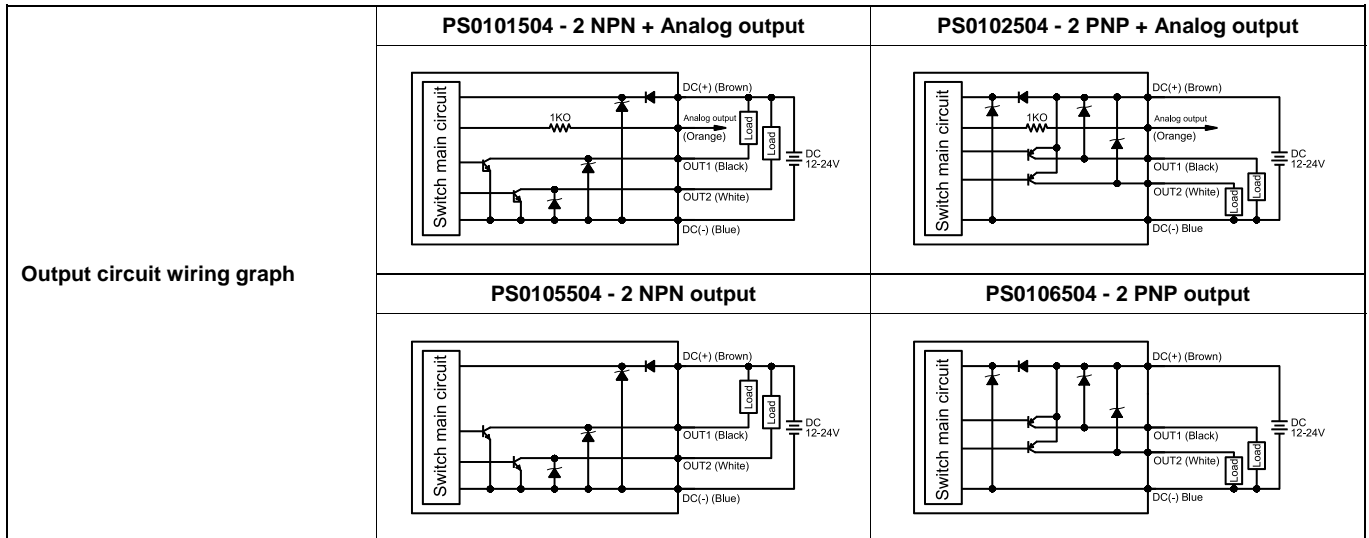
Model	PS0101504	PS0105504	PS0102504	PS0106504
Port size	R 1/8			
Rated pressure range	0 ~ 10 bar			
Operating / Setting pressure range	-1 ~ 10 bar			
Withstand pressure	1.5 times of rated pressure range			
Fluid	Air			
Set pressure resolution	Mpa	0.001		
	Kgf/cm ²	0.01		
	Bar	0.01		
	Psi	0.1		
Power supply voltage	12 to 24V DC \pm 10%, Ripple (P-P) 10% or less			
Current consumption	\leq 55 mA			
Switch output	NPN: open collector 2 outputs Max. load current: 80 mA Max. supply voltage: 30V DC Residual voltage: \leq 1V (load current 80 mA)		PNP: open collector 2 outputs Max. load current: 80 mA Max. supply voltage: 24V DC Residual voltage: \leq 1V (load current 80 mA)	
Repeatability (Switch output)	\leq \pm 0.2% F.S. \pm 1 digit			
Hysteresis	Hysteresis mode	Adjustable		
	Window comparator mode	Fixed (3 digits)		
Response time	\leq 2.5ms (chattering-proof function: 24ms, 192ms and 768ms selections)			
Output short circuit protection	Yes			
7 segment LED display	3½ digit LED display (Sampling rate: 5 times/1sec.)			
Indicator accuracy	\leq \pm 2% F.S. \pm 1 digit (ambient temperature: 25 \pm 3°C)			
Indicator	Green LED (OUT1) Red LED (OUT2)			
Analog output (Only type PS0101504, PS0102504)	Output voltage: 1 to 5V \leq \pm 2.5% (within rated pressure range) Linearity: \leq \pm 1% F.S.			
Environment	Enclosure	IP40		
	Ambient temp. range	Operation : 0 ~ 50°C, Storage : -20 ~ 60°C (No condensation or freezing)		
	Ambient humidity range	Operation / Storage : 35 ~ 85% RH (No condensation)		
	Withstand voltage	1000VAC in 1-min (between case and lead wire)		
	Insulation resistance	50Mohm min. (at 500V DC M, between case and lead wire)		
	Vibration	Total amplitude 1.5mm, 10Hz-55Hz-10Hz scan for 1 minute, two hours each direction of X, Y and Z		
Shock	980m/s ² (100G), 3 times each in direction of X, Y and Z			
Temperature characteristic	\leq \pm 2% F.S. of detected pressure (25°C) at temp. Range of 0~50°C			
Lead wire	Oil-resistance cable (0.15mm ²)			
Product weight	Approximate 105g (with 2-metre lead wire)			

DIGITAL PRESSURE SENSOR

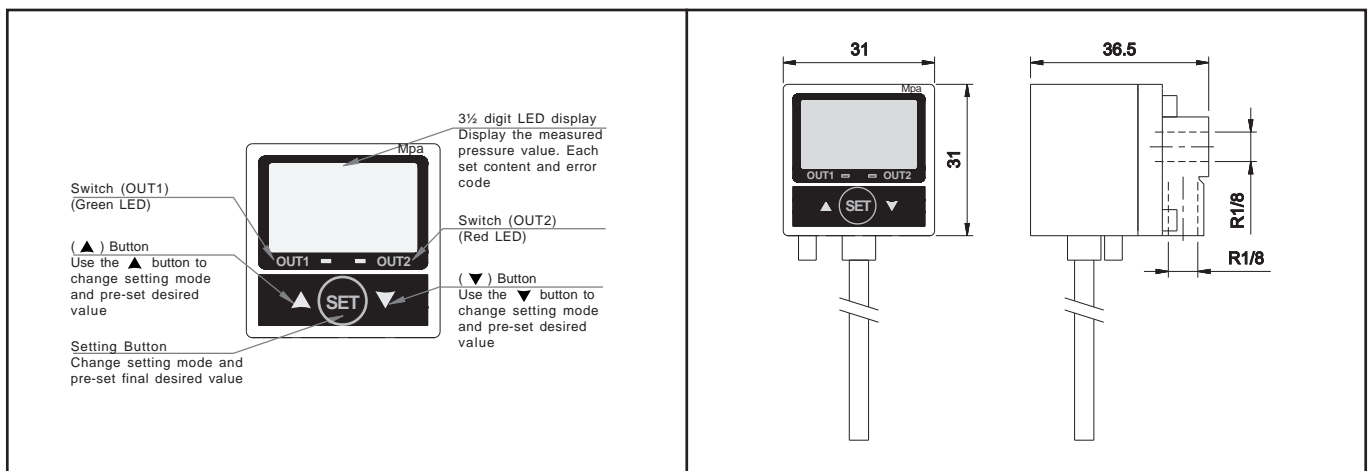
(Two Output) Series PS

Cat No PS - 01 - 01 - B

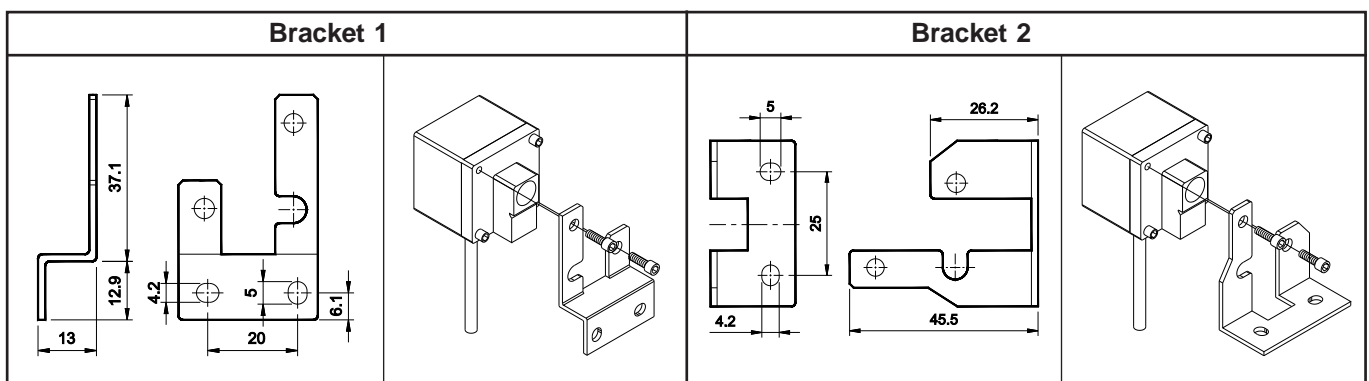
Output Circuit Wiring Graph



Dimension / Panel instructions



1. Mounting Bracket

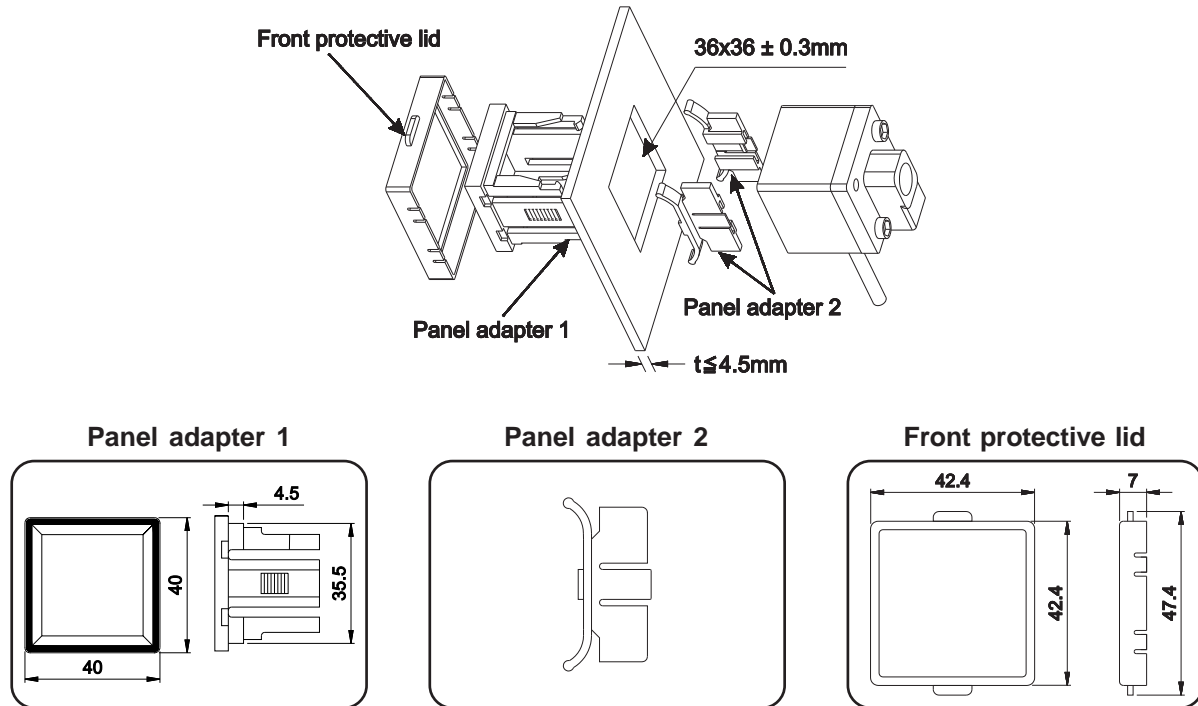


DIGITAL PRESSURE SENSOR

(Two Output) Series PS

Cat No PS - 01 - 01 - B

2. Panel type



Optional spare parts

S. No.	Optional spare parts	Ordering No.
1	Mounting bracket	A4C10
2.	Panel adapter 1 + Panel adapter 2	A4C11
3.	Panel adapter 1 + Panel adapter 2 + Front productive lid	A4C12

How to order

Series	Switch type	Port size	Pressure range	Mounting
PS (circled) ○ ○ 01 Voltage version	○ ○ 01 2 NPN output + 1 Analog output 02 2 PNP output + 1 Analog output 05 2 NPN output 06 2 PNP output	○ ○ 50 R1/8	○ 4 0 to 10 bar	○ A Mounting bracket B Panel adapter 1&2 C Panel adapter 1&2 + Front productive lid

No code: Without mounting

Ordering Example :

1. Pressure sensor Voltage version, 2 NPN output + 1 analog output, R1/8 port size, 0 to 10 bar pressure range with mounting bracket - **PS0101504A**
2. Pressure sensor Voltage version, 2 NPN output + 1 analog output, R1/8 port size, 0 to 10 bar pressure range without mounting - **PS0101504**