

COMPACT VALVE

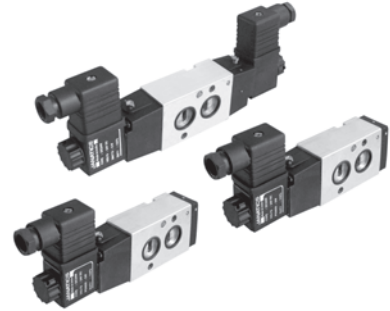
(NAMUR Standard) Series DS3

Cat No DS3 - 01 - A

COMPACT VALVE - G1/4

Features

- Suitable for 'NAMUR' standard fitments
- Compact size
- Manual override
- Wide range of coil voltages



Technical Specifications

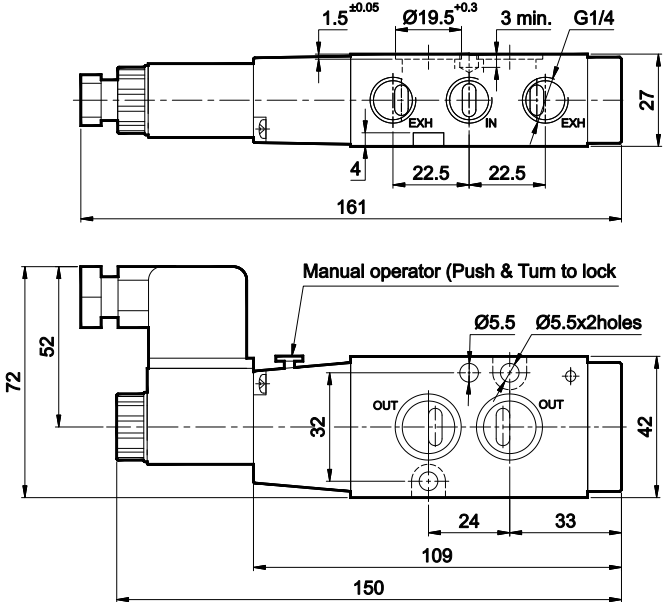
Model	DS3	
Type	5/2 Single Solenoid & Double Solenoid	
Design	Spool type with NAMUR hole pattern	
Port Size	Inlet, Exhaust - G1/4	Outlet - NAMUR hole pattern
Medium	Compressed air, filtered, lubricated	
Working Pressure range	2 - 10 bar	
Ambient / Medium temperature	5° - 60° C	
Flow [@]	1400 lts/min	
Mounting type	2 holes in Housing to NAMUR standard with Combination head screw (M5x30) - 2nos., O Ring (Ø16xØ2) - 2nos.	
Materials of construction	Aluminium, Nitrile, Brass, Steel, Acetal, PBT, Zinc	
Product Weight	Single Solenoid - 350gms, Double Solenoid - 440gms,	
Electrical		
Coil width	22 mm	
Voltage (V) ± 10%	AC (50 Hz) - 24, 48, 110, 220	
	DC - 12, 24, 48, 110	
Power consumption	AC - 6 VA, DC - 5 W	
Duty cycle	Continuous	
Class of insulation	Class F	
Type of coil protection	IP65	
Cable entry	PG9 (Suitable for Ø6 - Ø8 OD cable (2wire/3wire)	

@ Inlet pressure 6 bar, and pressure drop 1 bar

COMPACT VALVE
(NAMUR Standard) Series DS3

Cat No DS3 - 01 - A

5 / 2 Single Solenoid pilot operated valve with spring return

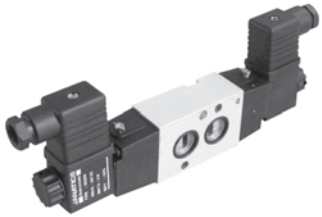
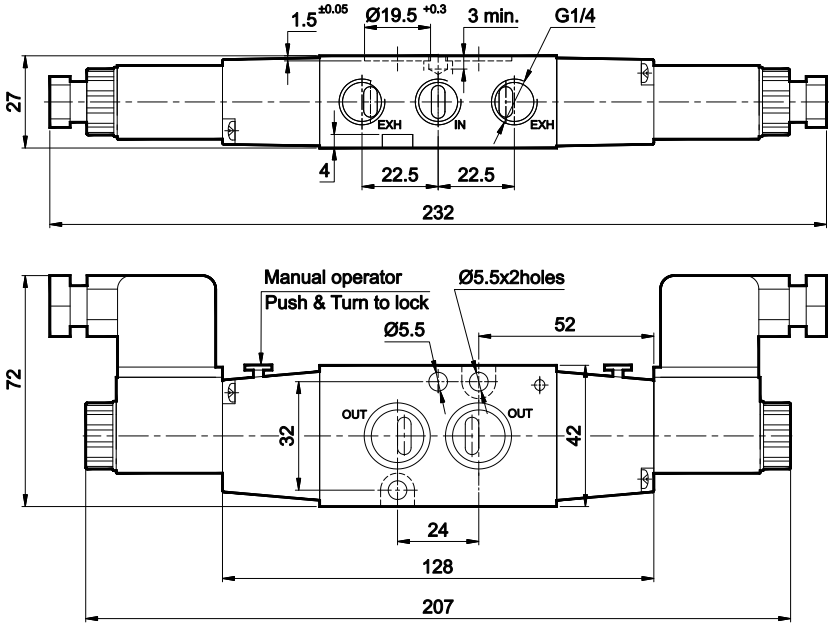


1 - Inlet, 2,4 - Outlet, 3,5 - Exhaust

Ordering No*	DS355SR61
Symbol	

* For ordering No, voltage to be added.

5 / 2 Double solenoid pilot operated valve



1 - Inlet, 2,4 - Outlet, 3,5 - Exhaust

Ordering No*	DS355SS61
Symbol	

* For ordering No, voltage to be added.

COMPACT VALVE

(NAMUR Standard) Series DS3

Cat No DS3 - 01 - A

How to order

1. Solenoid valve + “ Connectors without LED ”

While ordering Solenoid operated valves, please mention the suffix given below along with the model number to indicate the required voltage

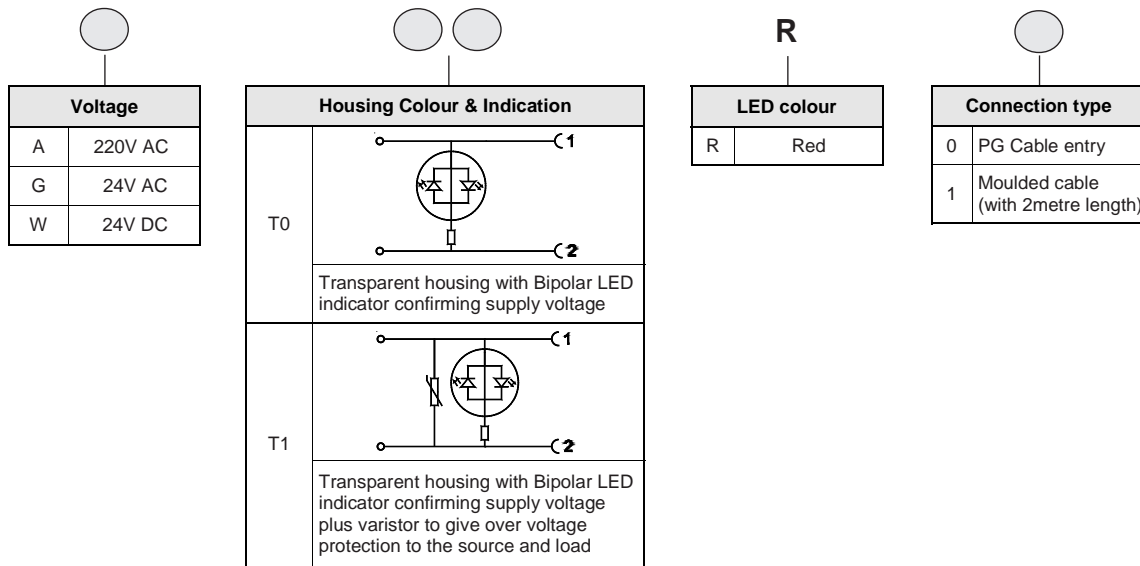
A	220V AC	Q	110V DC
B	110V AC	S	48V DC
D	48V AC	W	24V DC
G	24V AC	R	12V DC

Example

- a. The ordering no. for 5/2 Single solenoid valve, 24V D.C coil with PG cable is **DS355SR61-W**
- b. The ordering no. for 5/2 Single solenoid valve, 24V D.C coil with Moulded cable is **DS355SR61-W1**

2. Solenoid valve + “ Connectors with LED ”

While ordering Solenoid operated valves with LED connectors, given below in the corresponding tables.



Example

The Ordering no for 5/2 Single solenoid valve (1/4"), 24V DC, connectors with LED of Transparent colour housing with Bipolar LED and varistor, Red colour LED with moulded cable: **DS355SR61-WT1R1**

Coil spare ordering no.

Coil (without connector)	Ordering no.	
	AC	DC
Voltage		
220	AC23A	- NA -
110	AC23B	DC24Q
48	AC23D	DC24S
24	AC23G	DC24W
12	- NA -	DC24R