

SOLENOID VALVE - G1/4

DP1 Series

Cat No DP1 - 01 - 01

PNEUMATIC VALVE - G1/4

Features

- Diaphragm operated poppet seat
- No lubrication required
- Maintenance free
- Wide range of coil voltages
- Continuous duty cycle
- Good flow characteristics
- Coil can be rotated by 360°
- Suitable for dirty / dusty environment



Technical Specifications

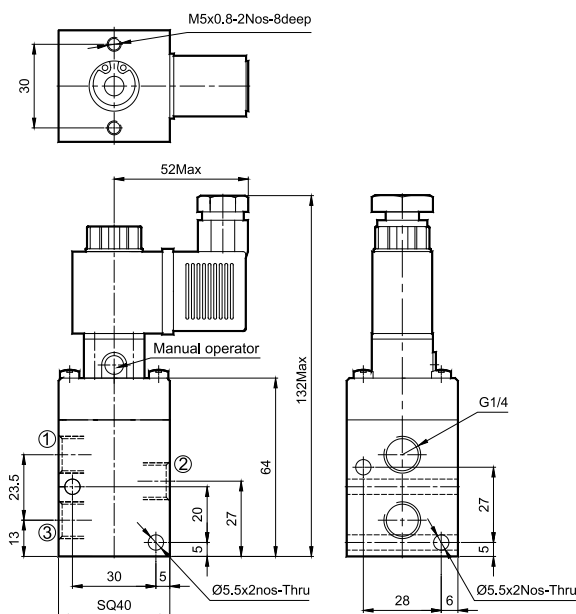
Model	DP1	
Type	3/2	5/2
Port size	Inlet (1), Outlet (2,4), Exhaust (3,5) - G1/4	
Ambient Temperature	60°C Max.	
Medium	Compressed air	
Operating pressure range (bar)	2 - 10 bar	
Orifice (NW)	6	
Flow rate [®] (lpm)	1000	1000
Electrical		
Coil width	22 mm	
Voltage (V) ± 10%	AC (50 Hz) 24, 48, 110, 220	DC 12, 24, 48, 110
Power consumption	6 VA	5 W
Duty cycle	Continuous	
Class of insulation	Class F	
Type of coil protection	IP65	
Materials of construction	Aluminium, Brass, Stainless steel, Nitrile	

[®] Inlet pressure 6 bar, and pressure drop 1 bar

Spare parts list

Ref. No.	Coil (without socket)		Ordering no. for	
	Voltage (V)		AC 50Hz	DC
1	220		AC23A	Nil
	110		AC23B	DC24Q
	48		AC23D	DC24S
	24		AC23G	DC24W
	12		Nil	DC24R
2	Actuator assembly		SC3001	

3 / 2 Single solenoid pilot operated normally open valve with spring return



1 - Inlet, 2 - Outlet, 3 - Exhaust

Ordering No	DP135SR61
Symbol	

Note : Modular valve rotatable by 90° incremental in 4 positions. We can assemble according to the manual operator position requirement

Caution:

To ensure proper functioning

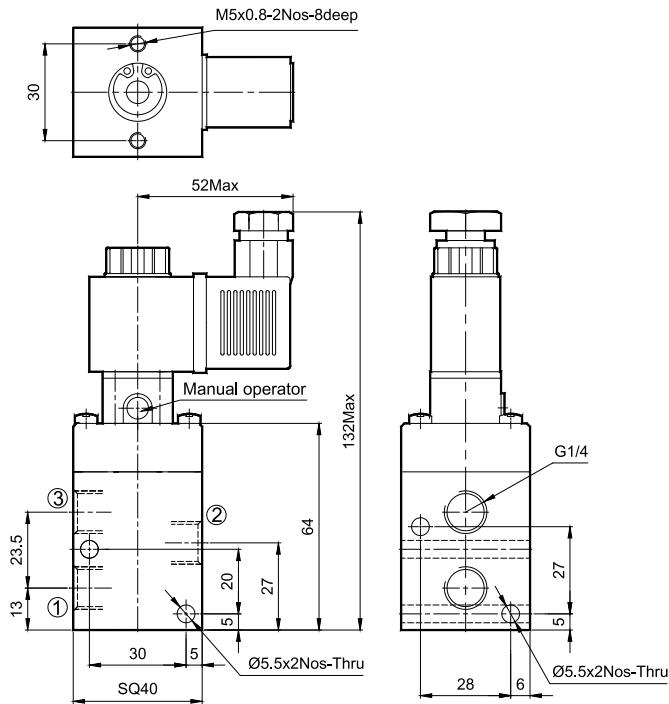
1. Please ensure that inlet port is connected to tubing of 6 mm ID minimum from the compressor air source.
2. Exhaust should not be restricted.

SOLENOID VALVE - G1/4

DP1 Series

Cat No DP1 - 01 - 01

3 / 2 Single solenoid pilot operated normally closed valve with spring return

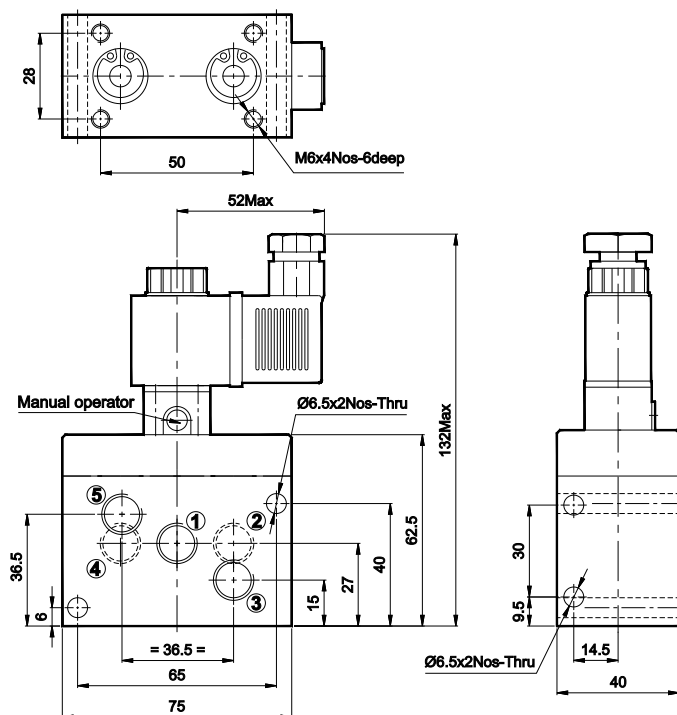


1 - Inlet, 2 - Outlet, 3 - Exhaust

Ordering No	DP145SR61
Symbol	

Note : Modular valve rotatable by 90° incremental in 4 positions. We can assemble according to the manual operator position requirement

5 / 2 Single solenoid pilot operated valve with spring return



1 - Inlet, 2,4 - Outlet, 3,5 - Exhaust

Ordering No	DP155SR61
Symbol	

SOLENOID VALVE - G1/4

DP1 Series

Cat No DP1 - 01 - 01

How to order

1. Solenoid valve + “ Connectors without LED ”

While ordering Solenoid operated valves, please mention the suffix given below along with the model number to indicate the required voltage

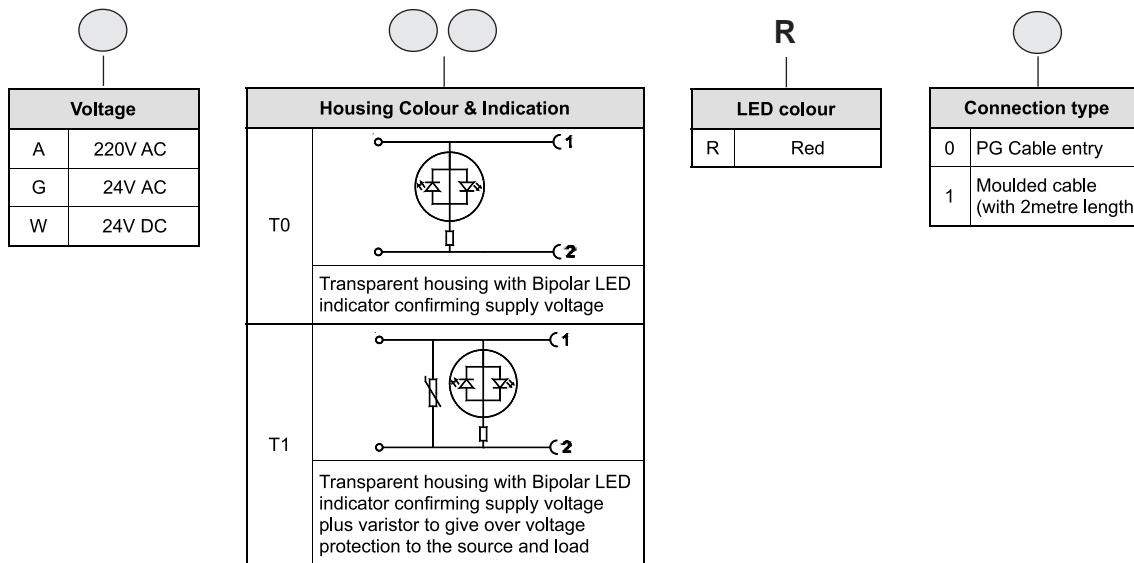
A	220V AC	Q	110V D C
B	110V AC	S	48V D C
D	48V AC	W	24V D C
G	24V AC	R	12V D C

Example

- The ordering no. for 3/2 Single solenoid pilot operated NO valve with 24V D.C coil is **DP135SR61-W**
- The ordering no. for 3/2 Single solenoid pilot operated NO valve with 24V D.C coil with Moulded cable is **DP135SR61-W1**

2. Solenoid valve + “ Connectors with LED ”

While ordering Solenoid operated valves with LED connectors, given below in the corresponding tables.



Example

The ordering no. for 3/2 Single solenoid pilot operated NO valve, 24V D.C, connectors with LED of Transparent colour housing with Bipolar LED and varistor with moulded cable : **DP135SR61-WT1R1**