

SHUT OFF VALVE LOCKABLE

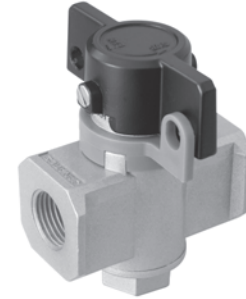
Series GS2

Cat No GS2 - 01 - 02

SHUT OFF VALVE LOCKABLE - G1/4, G3/8, G1/2

Features

- ❑ Modular mounting with FRL
- ❑ Port thread at both ends
- ❑ Sizes - G1/4, G3/8 & G1/2
- ❑ Window display to show the valve position (i.e.) the valve is in On condition or Off condition



Function

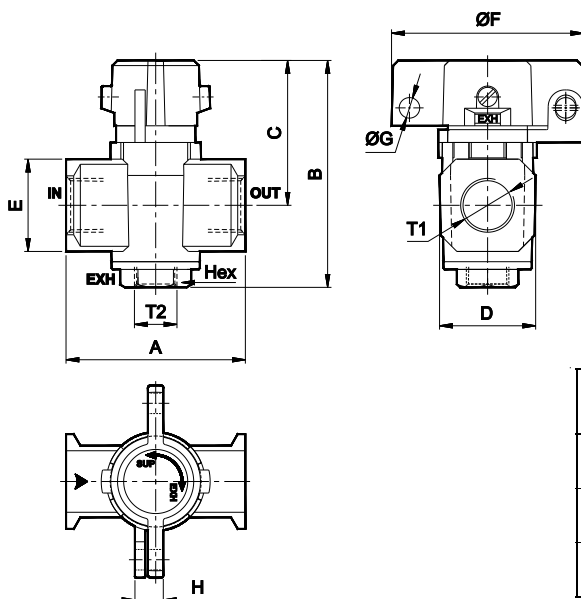
1. Opening and closing of airline with relieving of down stream pressure at closed condition.
2. The valve can be locked at the closing condition (Exhaust 2 → 3)

Technical Specifications

Model		GS245L61	GS246L62	GS247L63
Port size		G1/4	G3/8	G1/2
Type		3/2		
Operating pressure range		0 - 10 bar		
Ambient Temperature		5° - 60° C		
Flow [®] (lpm)	1 → 2	1000	2200	3250
	2 → 3	450	1100	1600
Materials of construction		Aluminium, Brass, Nitrile		

* Inlet pressure 6 bar, and pressure drop 1 bar

Note : 1. While connecting the valve check the direction of the air flow as per ►
2. 'Lock' - Not in the scope of supply.



Sl. No	Ordering No.	T1	T2	Hex	A	B	C	D	E	ØF	ØG	H
1	GS245L61	G1/4	G1/8	17	45	73	43	28.5	22	40	3.5	8
2	GS246L62	G3/8	G1/4	19	55	85	52	32.5	28	55	6	11
3	GS247L63	G1/2	G3/8	24	70	94	56.5	37.5	36	75	8	11.5

How to Order

While ordering Shut off valve lockable, mention the ordering number given in the corresponding tables.

Subject to change