

AIR CYLINDER

Series A51, A52

Cat No A51, A52 - 01 - 01

AIR CYLINDERS Double Acting (Ø8 & Ø10 mm)

As per ISO 6432 / CETOP RP52P standards

Features

- Elastomer cushioning at both ends
- Wide varieties of mountings
- Low friction
- Long life



Technical Specifications

Cylinder bore Ø (mm)	8	10
Standard strokes* (mm)	10 25 40 50 80 100	
Medium	Compressed air - filtered - lubricated	
Working pressure	0.5 to 10 bar	
Ambient temperature	-10° to +60° C	
Medium temperature	+5° to +50° C	
Materials of construction	Aluminium, Brass, Nitrile, Polyurethane, Steel	
Mountings	Front foot mounting, Double foot mounting, Front flange, Rear flange, Front trunnion, Rear trunnion	
Accessories	Clevis foot bracket Rod end fork	

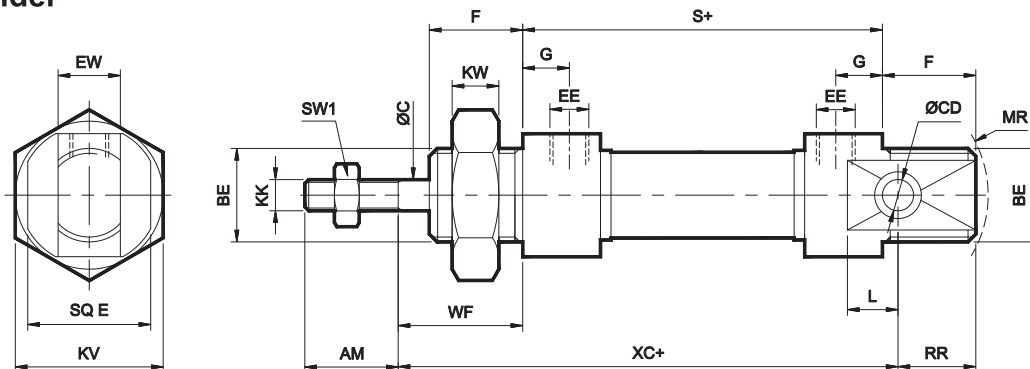
* For Non standard or longer stroke cylinders, contact your regional dealer or **JANATICS**

Output force (force in N : 1N = 0.1 kgf)

Cylinder bore Ø (in mm)	Rod Ø (in mm)		Working pressure in bar								
			2	3	4	5	6	7	8	9	10
8	4	Extend	9	13	18	22	27	31	36	40	45
		Retract	6	10	13	16	20	23	27	30	33
10	4	Extend	14	21	28	35	42	49	56	63	70
		Retract	11	17	23	29	35	41	47	53	59

(Above values have been worked out taking frictional loss into consideration)

Basic cylinder



+ Add stroke

Cylinder bore Ø	MR	BE	F	CD H9	RR	L	G	EE	S ±0.5	KW	C	SW1	KK	AM	WF ±1.2	XC ±1	EW d13	KV	SQ E	D	Stroke tol	
																					10 - 100	125 - 300
8	12	M12 x 1.25	12	4	10	6.5	6	M5 x 0.8	46	6	4	7	M4 x 0.7	12	16	64	8	19	16	9	+ 1.5 + 0	+ 2.5 + 0
10	12	M12 x 1.25	12	4	10	6.5	6	M5 x 0.8	46	6	4	7	M4 x 0.7	12	16	64	8	19	16	11		

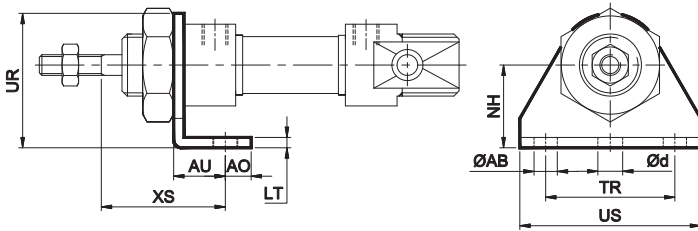
AIR CYLINDER

Series A51, A52

Cat No A51, A52 - 01 - 01

MOUNTINGS FOR AIR CYLINDER Series A51, A52

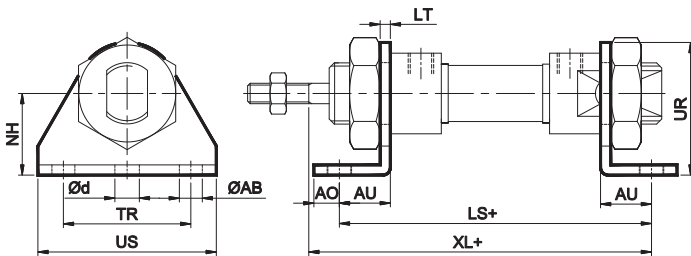
Front Foot Mounting



Cylinder bore Ø	LT	AU	AO	d*	XS ±1.4	NH ±0.3	TR Js14	US	AB H13	UR	Ordering No.
8	2	10	5	3.8	24	16	25	35	4.5	26	ML012
10	2	10	5	3.8	24	16	25	35	4.5	26	ML012

* Suitable for reaming

Double Foot Mounting

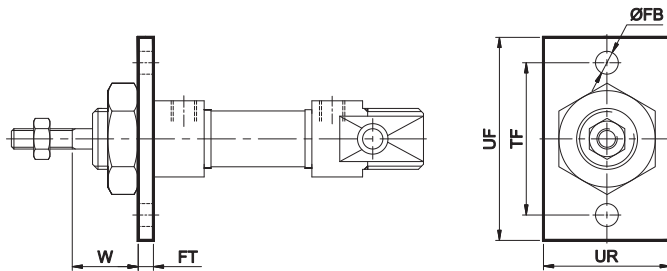


Cylinder bore Ø	UR	AB H13	TR Js14	NH ±0.3	AO	AU	d*	LT	US	LS ±0.7	XL ±1.2	Ordering No.
8	26	4.5	25	16	5	10	3.8	2	35	66	72	MS012
10	26	4.5	25	16	5	10	3.8	2	35	66	72	MS012

+ Add stroke

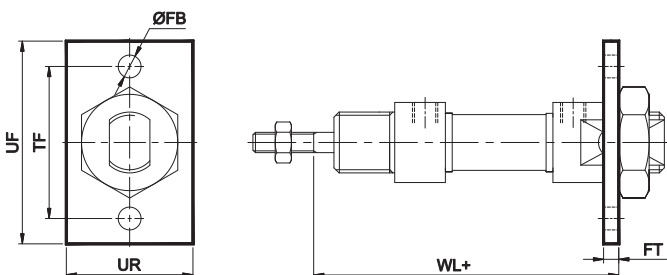
* Suitable for reaming

Front flange



Cylinder bore Ø	TF Js14	UF	UR	FB H13	FT	W ±1.4	Ordering No.
8	30	40	25	4.5	3	13	MF012
10	30	40	25	4.5	3	13	MF012

Rear flange



Cylinder bore Ø	TF Js14	UF	UR	FB H13	FT	WL ±1.2	Ordering No.
8	30	40	25	4.5	3	65	MF012
10	30	40	25	4.5	3	65	MF012

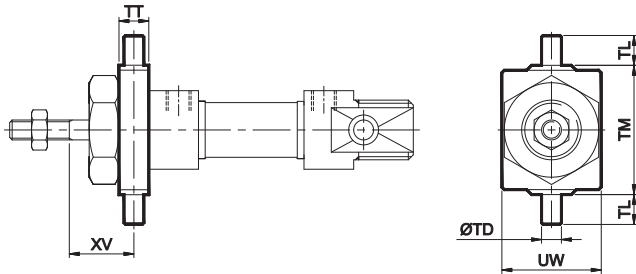
+ Add stroke

AIR CYLINDER

Series A51, A52

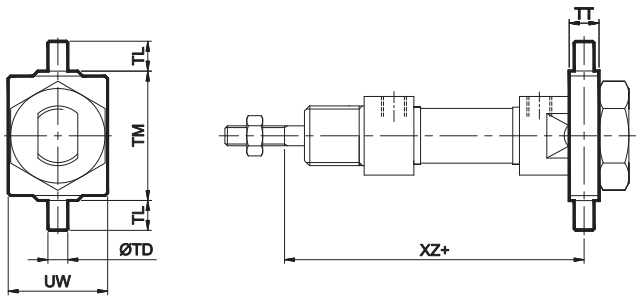
Cat No A51, A52 - 01 - 01

Front trunnion



Cylinder bore Ø	TM h14	UW	TD e9	TT	XV ±1.4	TL h14	Ordering No.
8	26	20	4	6	13	6	MT012
10	26	20	4	6	13	6	MT012

Rear trunnion

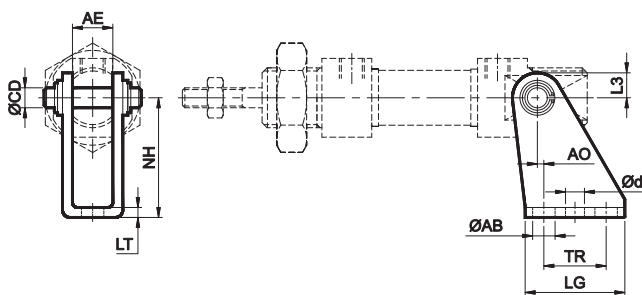


Cylinder bore Ø	TM h14	UW	TD e9	TT	XZ ±1.2	TL h14	Ordering No.
8	26	20	4	6	65	6	MT012
10	26	20	4	6	65	6	MT012

+ Add stroke

ACCESSORIES FOR AIR CYLINDER Series A51, A52

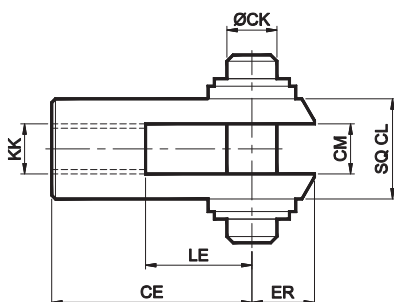
Clevis foot bracket



Cylinder bore Ø	AE	AB H13	LT	NH	L3	CD e8	d*	TR Js14	LG	AO	Ordering no.
8	8.1	4.5	2	24	5	4	3.8	12.5	20	1.3	AA012
10	8.1	4.5	2	24	5	4	3.8	12.5	20	1.3	AA012

* Suitable for reaming

Rod end Fork (ISO 8140)



Cylinder bore Ø	KK	LE min	CM B12	CE	CK e8	CL max	ER	Ordering no.
8	M4 x 0.7	8	4	16	4	8	6.5	AF004
10	M4 x 0.7	8	4	16	4	8	6.5	AF004

AIR CYLINDER

Series A51, A52

Cat No A51, A52 - 01 - 01

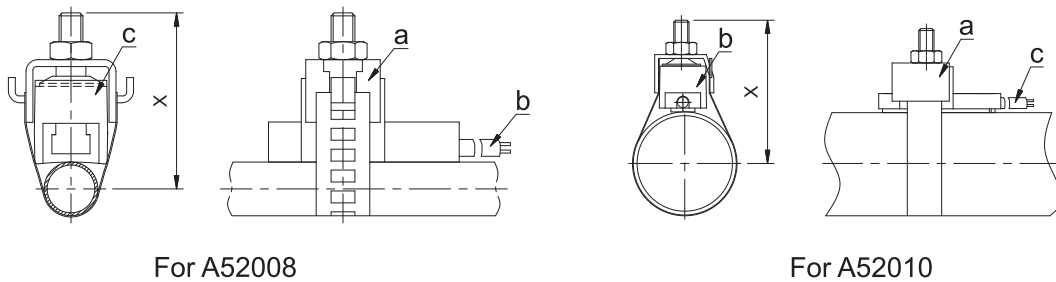
ACCESSORIES FOR MAGNETIC CYLINDERS Series A52

REED SWITCH



Function

The reed switch and clamping kit assembly is mounted on the Air cylinder (Series A52), for proximity sensing. The piston of the cylinder is equipped with a permanent magnet which activates the reed switch on approaching it. The reed switch closes the circuit giving an electrical signal, which could be used further as required. The accuracy of the sensing distance depends on the speed of operation of the piston.



For A52008

For A52010

Cylinder bore Ø	Ordering no. for Clamp (a)	Ordering no. for Reed switch Adapter (b)	Ordering no. for Reed switch (c)	Ordering no. for (a+b+c)	X
08	810011	A1M01	*	@	29.5
10	810000	A1M02			

* For Reed switch refer Series AM4 (Page no. 1a.1.1)

How to order @

AM70	08	—	0	—	FL-04																						
<table border="1"> <thead> <tr> <th colspan="2">Cylinder bore Ø</th> </tr> </thead> <tbody> <tr> <td>08</td> <td>- Ø8</td> </tr> <tr> <td>10</td> <td>- Ø10</td> </tr> </tbody> </table>		Cylinder bore Ø		08	- Ø8	10	- Ø10	<table border="1"> <thead> <tr> <th colspan="2">Switch type</th> </tr> </thead> <tbody> <tr> <td>0</td> <td>(Reed switch 2 wire type)</td> </tr> <tr> <td>1</td> <td>(Reed switch 3 wire type)</td> </tr> <tr> <td>2</td> <td>(Solid state type, Current sourcing - PNP)</td> </tr> <tr> <td>3</td> <td>(Solid state type, Current sinking - NPN)</td> </tr> </tbody> </table>		Switch type		0	(Reed switch 2 wire type)	1	(Reed switch 3 wire type)	2	(Solid state type, Current sourcing - PNP)	3	(Solid state type, Current sinking - NPN)	<table border="1"> <thead> <tr> <th colspan="2">End connection</th> </tr> </thead> <tbody> <tr> <td>FL-04</td> <td>(Flying lead with 2 meter cable length)</td> </tr> <tr> <td>QD-02</td> <td>(Quick disconnect with 300mm cable length)</td> </tr> </tbody> </table>		End connection		FL-04	(Flying lead with 2 meter cable length)	QD-02	(Quick disconnect with 300mm cable length)
Cylinder bore Ø																											
08	- Ø8																										
10	- Ø10																										
Switch type																											
0	(Reed switch 2 wire type)																										
1	(Reed switch 3 wire type)																										
2	(Solid state type, Current sourcing - PNP)																										
3	(Solid state type, Current sinking - NPN)																										
End connection																											
FL-04	(Flying lead with 2 meter cable length)																										
QD-02	(Quick disconnect with 300mm cable length)																										

AIR CYLINDER

Series A51, A52

Cat No A51, A52 - 01 - 01

How to order

A		51		010		050		D	
Model		Bore Ø (mm)		Stroke (mm)		Mountings			
51	Standard cylinder	008	- Ø8	010	- 10	O	- Basic		
52	Magnetic cylinder	010	- Ø10	025	- 25	L	- Front Foot Mounting		
				040	- 40	D	- Double Foot Mounting		
				050	- 50	F	- Front Flange		
				080	- 80	R	- Rear Flange		
				100	- 100	M	- Front Trunnion		
						N	- Rear Trunnion		

Example:

Ordering no. for standard cylinder with 10 dia bore, 50 mm stroke with Double foot mounting : **A51 010 050 D**



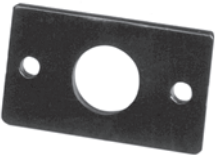
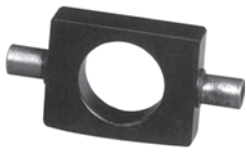
Note:

If ordered as 10 dia, 50 mm stroke cylinder, Basic cylinder **A51 010 050 O** will be supplied.

For repeat order when the details are taken from cylinder nameplate, mention the mounting style separately.

For ordering **Accessories**: mention part numbers in corresponding tables.

For ordering individual **Mounting** kits (If needed separately): mention the ordering numbers as below

Bore dia	Front Foot Mounting	Double Foot Mounting	Flange (Front & Rear)	Trunion (Front & Rear)
				
008	ML012	MS012	MF012	MT012
010	ML012	MS012	MF012	MT012

For your special requirements of cylinders or for further informations contact your regional dealer or **JANATICS**