

ROTARY SLIDE VALVE

Series DR

Cat No DR - 01 - 02 - B

ROTARY SLIDE VALVE - G1/2

Features

- ❑ Easy handle movement and precise control of the direction
- ❑ Compact and lightweight design
- ❑ Handle position available in two types (Ref. Fig.1 & Fig.2)
- ❑ Both body mounting and Panel mounting is possible
- ❑ Good flow characteristics



Technical Specifications

Model	DR19	DR11
Port size	G1/2	
Medium	Compressed air filtered, lubricated	
Maximum working pressure	bar 10	
Recommended oil for lubrication	ISO VG32 (Servo system 32)	
Operating Angle	45° (Refer Fig.1&2)	
Ambient temperature	C	-10° to +60°
Medium temperature	C	+5° to +50°
Flow @ (1→2, 1→4)	lts/min 4000	
Materials of construction	Aluminium, Steel, Stainless Steel, Nitrile Rubber, Brass	
Weight	Kg 0.9	

@ - Inlet pressure 6 bar, and pressure drop 1 bar

Ordering no.	DR197S63-N & DR197S63-T	DR117S63-N & DR117S63-T
Type	4/3 - Hand Lever Operated (Mid-Position Blocked)	4/3 - Hand Lever Operated (Mid-Position Exhausted)
Symbol		

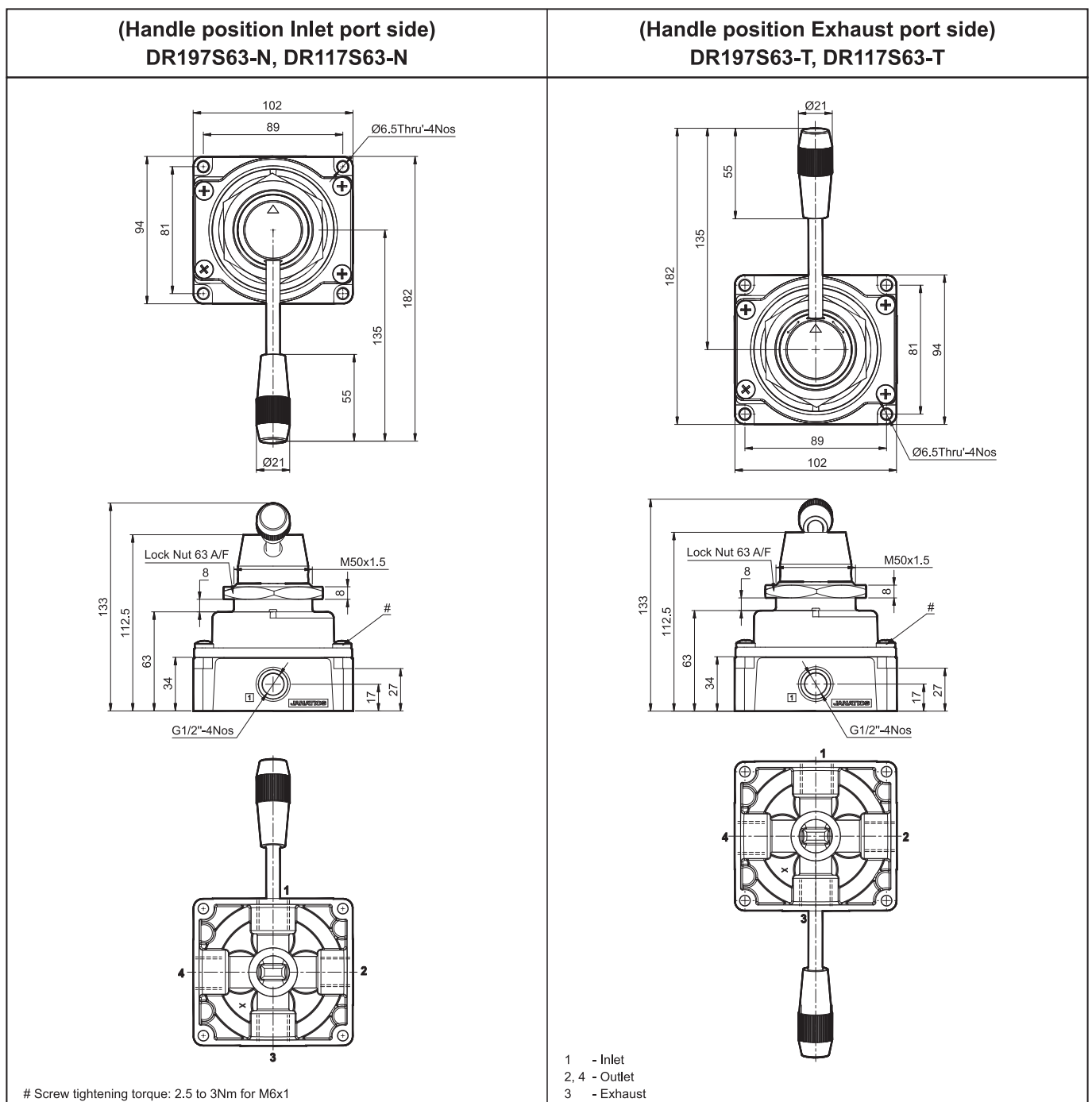
N - Handle position Inlet port side, T - Handle position Outlet port side

Handle operation angle and air flow direction	Panel cut dimension
<p>(Handle position Inlet port side) DR197S63-N, DR117S63-N</p> <p>1 - Inlet 2, 4 - Outlet 3 - Exhaust</p> <p>FIG. 1</p>	<p>(Handle position Exhaust port side) DR197S63-T, DR117S63-T</p> <p>1 - Inlet 2, 4 - Outlet 3 - Exhaust</p> <p>FIG. 2</p>
	<p>Panel thickness = 7 to 8mm</p>

ROTARY SLIDE VALVE

Series DR

Cat No DR - 01 - 02 - B



Caution

Operation method : The valve must be switched to each position instantly and securely. Stopping the handle midway between the extreme positions may cause malfunction

Switch only by hand : Switching the valve by using hammer or other tools or driving it mechanically through the cylinder could cause damage

Ordering Example

The ordering no for 4/3 Rotary slide valve - 1/2" (Handle position at inlet port side) - **DR197S63-N**

Subject to change