

# ISO SUB BASE VALVE

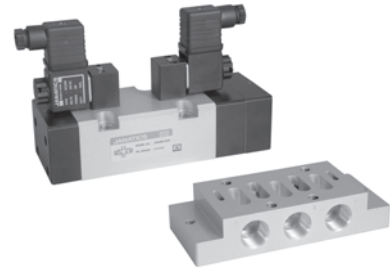
## Series DS4

Cat No DS4 - 01 - 01

### ISO SUB BASE VALVE - SIZE 3

#### Features

- Mounting interface suitable for ISO 5599-1
- Manual override
- Wide range of coil voltages

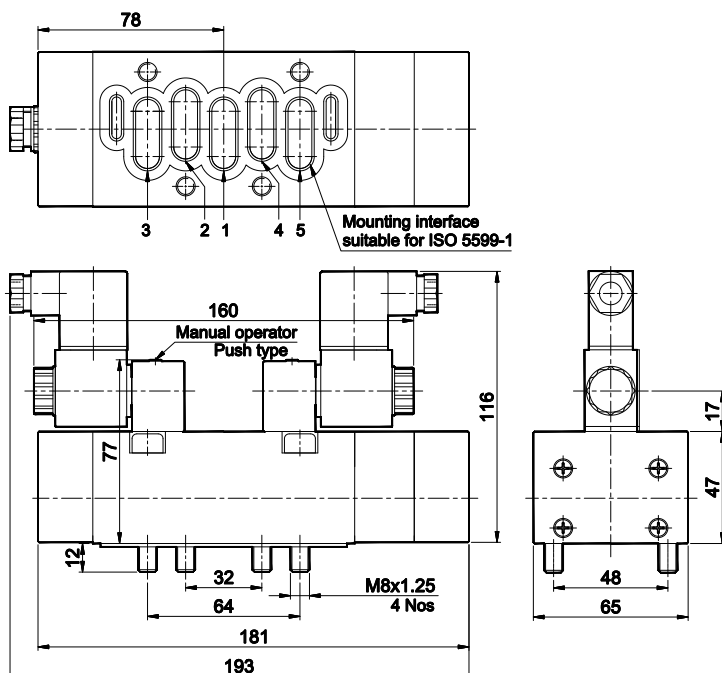


#### Technical Specifications


Model	DS4
Type	5/3
Design	Spool type
Mounting interface	Suitable for ISO 5599 - 1 size 3
Pneumatic connection on sub base	G1/2
Medium	Compressed air filtered, lubricated
Minimum working pressure	2 bar
Maximum working pressure	10 bar
Recommended oil for lubrication	ISO VG32 (Servo system 32)
Ambient / Medium temperature	5° - 60° C
Flow <sup>®</sup>	4500 lts/min
Materials of construction	Aluminium, Nitrile, Brass, Acetal, PBT, Zinc, Steel
<b>Electrical</b>	
Coil width	22 mm
Voltage (V) ± 10%	AC ( 50 Hz ) - 24, 48, 110, 220
	DC - 12, 24, 48, 110
Power consumption	AC - 6 VA, DC - 5 W
Duty cycle	Continuous
Class of insulation	Class F
Type of coil protection	IP65
Cable entry (PG9)	Suitable for Ø6 to Ø8 OD Cable (2wire / 3wire)

@ Inlet pressure 6 bar, and pressure drop 1 bar

### 5 / 3 Solenoid spring centered valve (Blocked)



1 - Inlet, 2,4 - Outlet, 3,5 - Exhaust

Ordering No*	DS43601SC8
Symbol	

\* For ordering no, voltage to be added

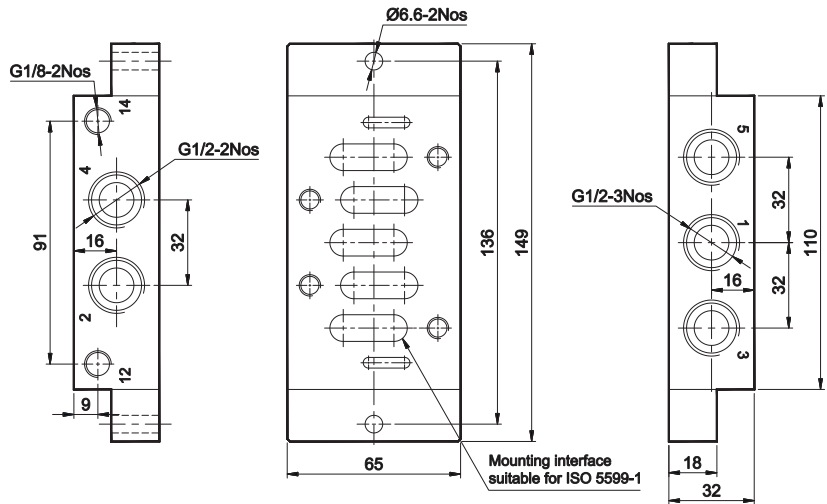
# ISO SUB BASE VALVE

## Series DS4

Cat No DS4 - 01 - 01

### ISO SUB BASE - SIZE 3

<b>Ordering No</b>
M01363



### How to order

#### 1. Solenoid valve + “ Connectors without LED ”

While ordering Solenoid operated valves, please mention the suffix given below along with the model number to indicate the required voltage

A	220V AC	Q	110V D C
B	110V AC	S	48V D C
D	48V AC	W	24V D C
G	24V AC	R	12V D C

#### Example

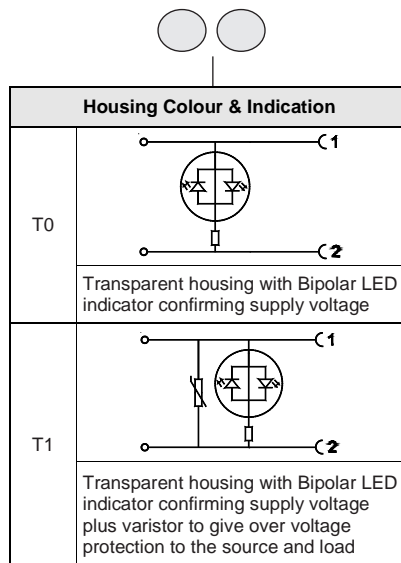
a. The ordering no. for ISO size 3 - 5/3 24V D.C Solenoid spring centered valve with PG cable is **DS43601SC8-W**

b. The ordering no. for ISO size 3 - 5/3 24V D.C Solenoid spring centered valve with Moulded cable is **DS43601SC8-W1**

#### 2. Solenoid valve + “ Connectors with LED ”

While ordering Solenoid operated valves with LED connectors, given below in the corresponding tables.

Voltage	
A	220V AC
G	24V AC
W	24V DC



LED colour	
R	Red

Connection type	
0	PG Cable entry
1	Moulded cable (with 2metre length)

#### Coil spare ordering no.

Coil ( without connector )	Ordering no.	
	AC	DC
220	AC23A	- NA -
110	AC23B	DC24Q
48	AC23D	DC24S
24	AC23G	DC24W
12	- NA -	DC24R

#### Example

The Ordering no for ISO size 3 - 5/3 24V D.C Solenoid spring centered valve (Blocked), connectors with LED of Transparent colour housing with Bipolar LED and varistor, Red colour LED with moulded cable:

**DS43601SC8-WT1R1**

Subject to change