

Linear Electric Actuator

Series AELB

Cat :

Rod less Electric Actuator-Belt -50mm

Features

- ❑ Compact Robust Design
- ❑ Highly flexible mounting
- ❑ More Precise & positioning
- ❑ Ease of positioning
- ❑ Ease of Maintenance

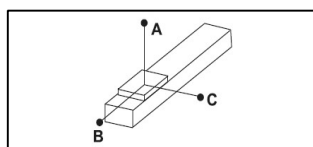


Technical Specifications

Repeatability (mm)		±0.04
Motor Power (Maximum Static Torque in Nm)		0.32 (Stepper Motor)
Lead (mm)		32
Maximum Speed (mm)/s		267
Maximum Payload	Horizontal (Kg)	10
	Vertical (Kg)	-
Rated Thrust (N)		42
Stroke / Pitch (mm)		50-800 mm/50mm pitch
Belt width (mm)		9
High Rigidity Linear Guide (mm)		W24XH8.5
Home Sensor	Outside	EE-SX672 (NPN)

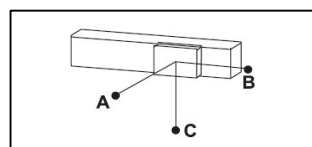
*Acceleration & deceleration value is set as 0.4 seconds

Allowable Moment



Unit:mm

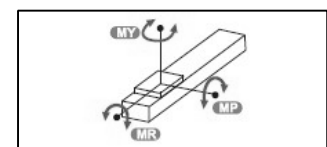
Horizontal Installation	A	B	C
5Kg	323	23	52
7Kg	208	15	34
10Kg	121	9	20



Unit:mm

Wall Installation	A	B	C
5Kg	47	21	299
7Kg	31	13	191
10Kg	18	8	109

Static loading moment



Unit:Nm

MY	16
MP	20
MR	19

Note:

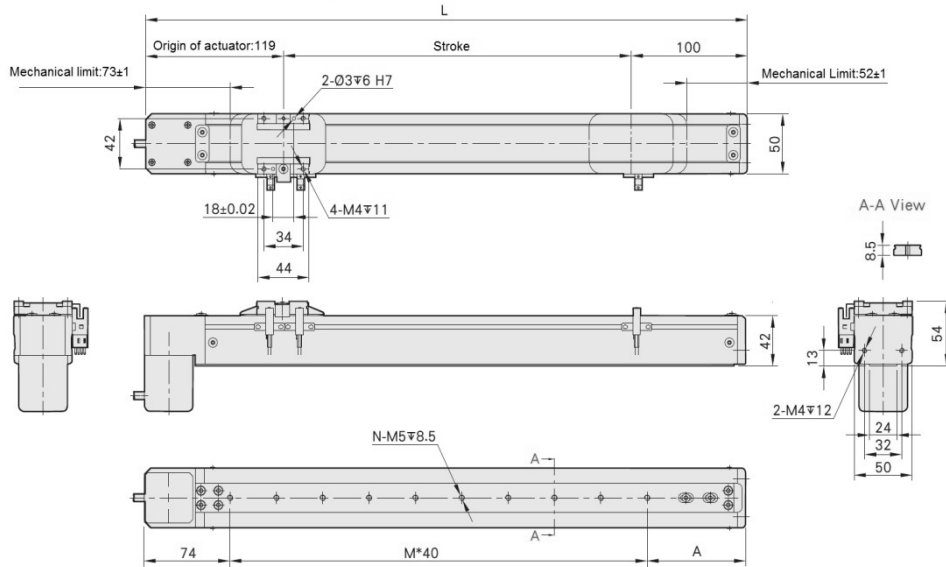
- The torque value in the chart indicates the center of gravity.
- Operation life is 5000Km when the product is using under the specified conditions.
- Data information is not for ceiling-mount inverse use. Contact us for the details if you want to apply ceiling- mount inverse usage

Linear Electric Actuator

Series AELB

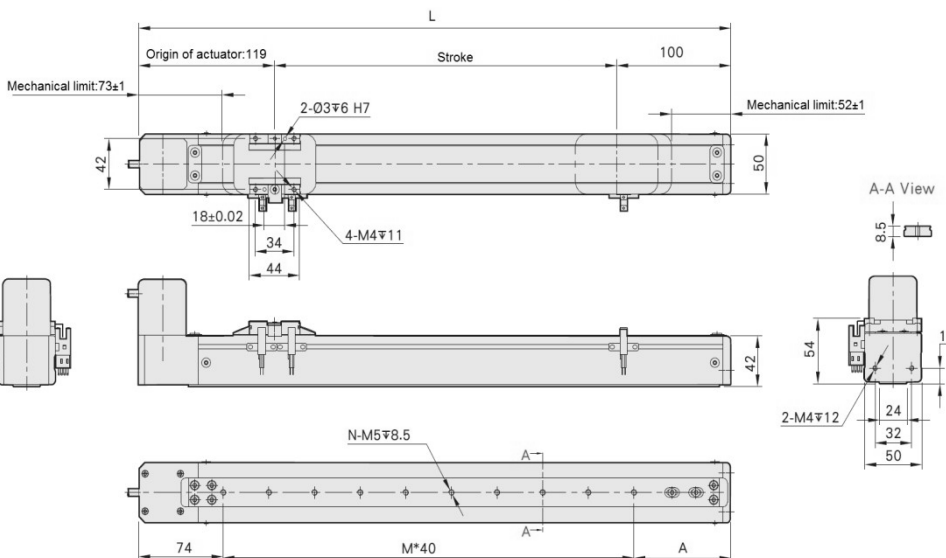
Cat :

Motor Bottom side-B



Stroke	50	100	150	200	250	300	350	400	450	500	550	600	650	700	750	800
L	269	319	369	419	469	519	569	619	669	719	769	819	869	919	969	1019
A	75	85	95	65	75	85	95	65	75	85	95	65	75	85	95	65
M	3	4	5	7	8	9	10	12	13	14	15	17	18	19	20	22
N	4	5	6	8	9	10	11	13	14	15	16	18	19	20	21	23
Weight (Kg)*	2.1	2.2	2.3	2.4	2.5	2.6	2.7	2.8	2.9	3	3.1	3.2	3.3	3.4	3.5	3.6

Motor Top side-T



Stroke	50	100	150	200	250	300	350	400	450	500	550	600	650	700	750	800
L	269	319	369	419	469	519	569	619	669	719	769	819	869	919	969	1019
A	75	85	95	65	75	85	95	65	75	85	95	65	75	85	95	65
M	3	4	5	7	8	9	10	12	13	14	15	17	18	19	20	22
N	4	5	6	8	9	10	11	13	14	15	16	18	19	20	21	23
Weight (Kg)*	2.1	2.2	2.3	2.4	2.5	2.6	2.7	2.8	2.9	3	3.1	3.2	3.3	3.4	3.5	3.6

Linear Electric Actuator

Series AELB

Cat :

How to order

AELB050

<table border="1" style="width: 100%; border-collapse: collapse;"> <tr><th colspan="2">Lead</th></tr> <tr><td>32</td><td>32mm</td></tr> <tr><td>40</td><td>40mm</td></tr> </table>	Lead		32	32mm	40	40mm	<table border="1" style="width: 100%; border-collapse: collapse;"> <tr><th colspan="2">Stroke</th></tr> <tr><td colspan="2" style="text-align: center;">0050-0800mm</td></tr> </table>	Stroke		0050-0800mm		<table border="1" style="width: 100%; border-collapse: collapse;"> <tr><th colspan="2">Motor Position</th></tr> <tr><td>T</td><td>Top Side</td></tr> <tr><td>B</td><td>Bottom Side</td></tr> </table>	Motor Position		T	Top Side	B	Bottom Side	<table border="1" style="width: 100%; border-collapse: collapse;"> <tr><th colspan="2">Motor Specification</th></tr> <tr><th colspan="2" style="text-align: center;">Stepper</th></tr> <tr><td>R</td><td>Oriental</td></tr> <tr><td>N</td><td>Sanyo</td></tr> <tr><td>A</td><td>Tamagawa</td></tr> <tr><td>T</td><td>Others</td></tr> </table>	Motor Specification		Stepper		R	Oriental	N	Sanyo	A	Tamagawa	T	Others	<table border="1" style="width: 100%; border-collapse: collapse;"> <tr><th colspan="2">Motor Power</th></tr> <tr><th colspan="2" style="text-align: center;">Stepper</th></tr> <tr><td>Nil</td><td style="text-align: center;">-</td></tr> </table>	Motor Power		Stepper		Nil	-
Lead																																						
32	32mm																																					
40	40mm																																					
Stroke																																						
0050-0800mm																																						
Motor Position																																						
T	Top Side																																					
B	Bottom Side																																					
Motor Specification																																						
Stepper																																						
R	Oriental																																					
N	Sanyo																																					
A	Tamagawa																																					
T	Others																																					
Motor Power																																						
Stepper																																						
Nil	-																																					
<table border="1" style="width: 100%; border-collapse: collapse;"> <tr><th colspan="2">Brake</th></tr> <tr><td>Nil</td><td>Without Brake</td></tr> <tr><td>B</td><td>With Brake</td></tr> </table>	Brake		Nil	Without Brake	B	With Brake	<table border="1" style="width: 100%; border-collapse: collapse;"> <tr><th colspan="2">Gear Specification</th></tr> <tr><td>Nil</td><td>Without Gear Box</td></tr> </table>	Gear Specification		Nil	Without Gear Box	<table border="1" style="width: 100%; border-collapse: collapse;"> <tr><th colspan="2">Motor & Encoder Cable</th></tr> <tr><td>1</td><td>1m</td></tr> <tr><td>3</td><td>3m</td></tr> <tr><td>5</td><td>5m</td></tr> <tr><td>T</td><td>10m</td></tr> </table>	Motor & Encoder Cable		1	1m	3	3m	5	5m	T	10m	<table border="1" style="width: 100%; border-collapse: collapse;"> <tr><th colspan="2">I/O Cable</th></tr> <tr><td>N</td><td>Without Cable</td></tr> <tr><td>1</td><td>1m</td></tr> <tr><td>A</td><td>1.5m</td></tr> <tr><td>2</td><td>2m</td></tr> </table>	I/O Cable		N	Without Cable	1	1m	A	1.5m	2	2m	<table border="1" style="width: 100%; border-collapse: collapse;"> <tr><th colspan="2">Customization Order no</th></tr> <tr><td>X</td><td>Special Requirements</td></tr> </table>	Customization Order no		X	Special Requirements
Brake																																						
Nil	Without Brake																																					
B	With Brake																																					
Gear Specification																																						
Nil	Without Gear Box																																					
Motor & Encoder Cable																																						
1	1m																																					
3	3m																																					
5	5m																																					
T	10m																																					
I/O Cable																																						
N	Without Cable																																					
1	1m																																					
A	1.5m																																					
2	2m																																					
Customization Order no																																						
X	Special Requirements																																					

Example :

Ordering no. for Rodless electric actuator-Belt type 50mm size,32mm belt lead,150 mm stroke with Oriental stepper motor mounted at the bottom side, with 3m Motor cable,1.5m I/O cable.

AELB050320150B-R-3A