

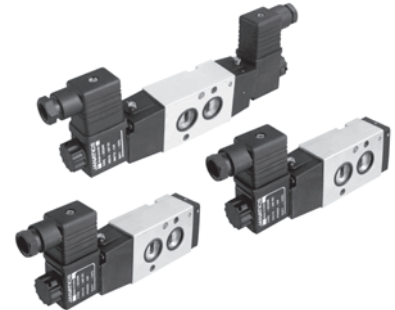
## COMPACT VALVE (NAMUR Standard) Series DS3

Cat No DS3 - 01 - 01 - A

### COMPACT VALVE - G1/4

#### Features

- Suitable for 'NAMUR' standard fitments
- Compact size
- Manual override
- Wide range of coil voltages



#### Technical Specifications

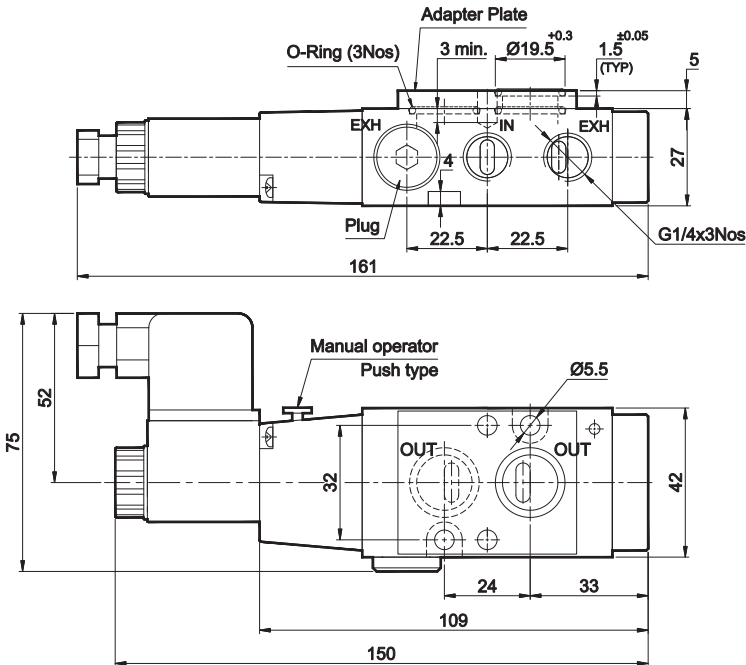
Model	DS3	
Type	3/2 Single Solenoid, 5/2 Single Solenoid & Double solenoid	
Design	Spool type with NAMUR hole pattern	
Port size	Inlet, Exhaust - G1/4	Outlet - NAMUR hole pattern
Medium	Compressed air, Filtered, Lubricated	
Working pressure range	2 - 10 bar	
Ambient temperature	-10° to +60° C	
Medium temperature	+5° to +50° C	
Flow @	1400 lts/min	
Mounting type	2 holes in Housing to NAMUR standard with Combination head screw (M5x30) - 2nos., O Ring (Ø16xØ2) - 2nos.	
Materials of construction	Aluminium, Nitrile, Brass, Steel, Acetal, PBT, Zinc	
Product weight	Single Solenoid - 350gms, Double Solenoid - 440gms	
<b>Electrical</b>		
	<b>Standard</b>	<b>Flame proof</b>
Coil width	22 mm	22 mm
Voltage (V) ± 10%	AC ( 50 Hz ) - 24, 48, 110, 220	AC - 220 V
	DC - 12, 24, 48, 110	DC - 24
Power consumption	AC - 6 VA, DC - 5 W	AC - 3 VA, DC - 3 W
Duty cycle	Continuous	Continuous
Class of insulation	Class F	Class H
Type of coil protection	IP65	IP66
Cable entry	PG9 (Suitable for Ø6 - Ø8 OD cable (2wire/3wire))	1.2 meter cable length

@ Inlet pressure 6 bar, and pressure drop 1 bar

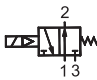
## COMPACT VALVE (NAMUR Standard) Series DS3

Cat No DS3 - 01 - 01 - A

### 3 / 2 Normally opened single solenoid pilot operated valve with spring return

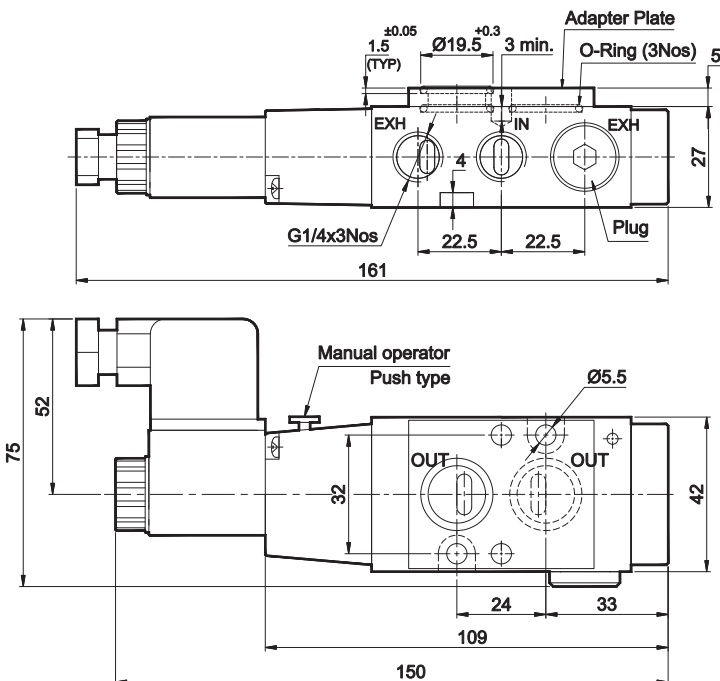


1 - Inlet, 2 - Outlet, 3 - Exhaust

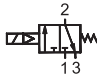
Ordering No*	DS335SR61
Type	Normally open
Symbol	

\* For ordering No, voltage to be added

### 3 / 2 Normally closed single solenoid pilot operated valve with spring return



1 - Inlet, 2 - Outlet, 3 - Exhaust

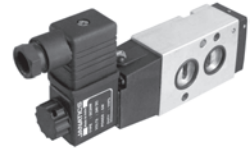
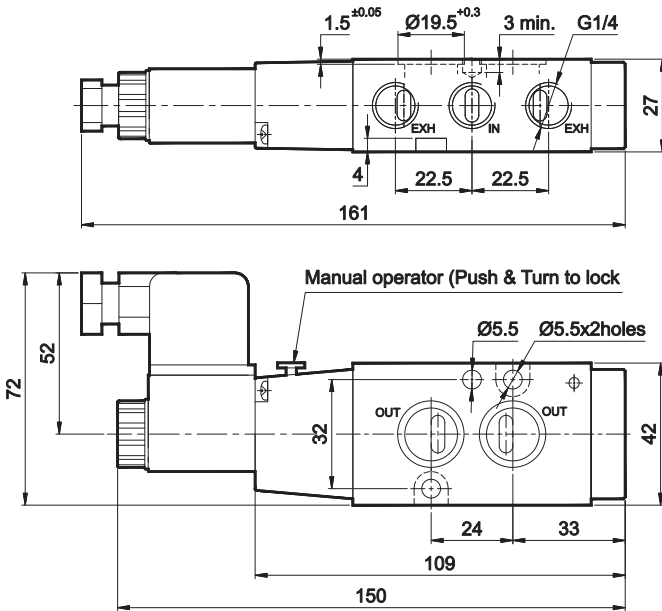
Ordering No*	DS345SR61
Type	Normally closed
Symbol	

\* For ordering No, voltage to be added


## COMPACT VALVE (NAMUR Standard) Series DS3

Cat No DS3 - 01 - 01 - A

### 5 / 2 Single Solenoid pilot operated valve with spring return

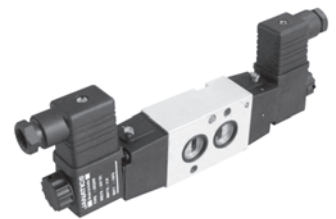
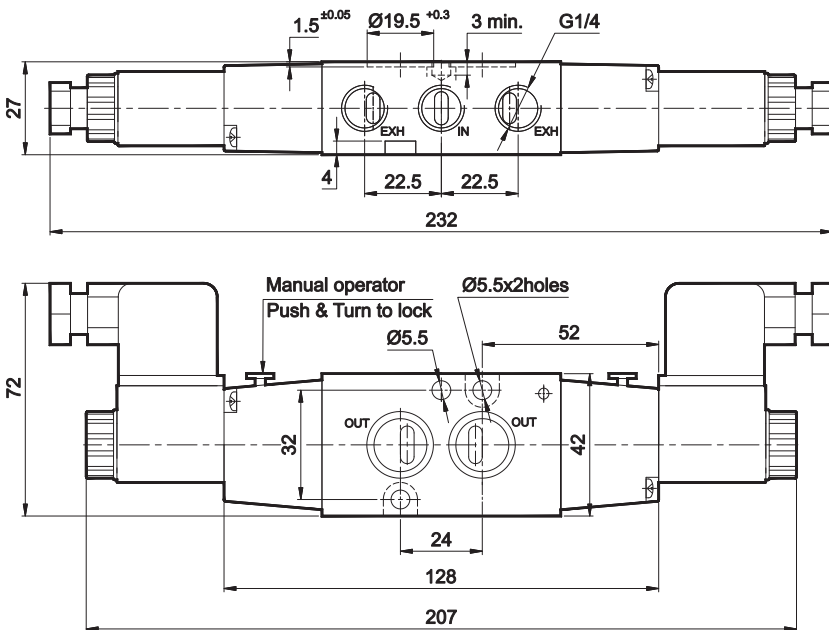


1 - Inlet, 2,4 - Outlet, 3,5 - Exhaust

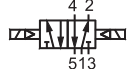
Ordering No*	DS355SR61
Symbol	

\* For ordering No, voltage to be added

### 5 / 2 Double solenoid pilot operated valve



1 - Inlet, 2,4 - Outlet, 3,5 - Exhaust

Ordering No*	DS355SS61
Symbol	

\* For ordering No, voltage to be added

# COMPACT VALVE

## (NAMUR Standard) Series DS3

Cat No DS3 - 01 - 01 - A

### How to order

#### 1. Solenoid valve + “Connectors without LED”

While ordering Solenoid operated valves, please mention the suffix given below along with the model number to indicate the required voltage

A 220V AC	Q 110V DC
B 110V AC	S 48V DC
D 48V AC	W 24V DC
G 24V AC	R 12V DC

#### Example

- a. The ordering no. for 3/2 NO Single solenoid valve, 24V D.C coil with PG cable is **DS335SR61-W**
- b. The ordering no. for 3/2 NO Single solenoid valve, 24V D.C coil with Moulded cable is **DS335SR61-W1**
- c. The ordering no. for 3/2 NO Single solenoid valve, 24V D.C with flame proof coil **DS335SR61-WF**

#### 2. Solenoid valve + “Connectors with LED”

While ordering Solenoid operated valves with LED connectors, given below in the corresponding tables.

 <table border="1" style="width: 100%; border-collapse: collapse;"> <thead> <tr><th colspan="2">Voltage</th></tr> </thead> <tbody> <tr><td>A</td><td>220V AC</td></tr> <tr><td>G</td><td>24V AC</td></tr> <tr><td>W</td><td>24V DC</td></tr> </tbody> </table>	Voltage		A	220V AC	G	24V AC	W	24V DC	 <table border="1" style="width: 100%; border-collapse: collapse;"> <thead> <tr><th colspan="2">Housing Colour &amp; Indication</th></tr> </thead> <tbody> <tr> <td style="text-align: center; vertical-align: middle;">T0</td> <td style="text-align: center;">             Transparent housing with Bipolar LED indicator confirming supply voltage         </td> </tr> <tr> <td style="text-align: center; vertical-align: middle;">T1</td> <td style="text-align: center;">             Transparent housing with Bipolar LED indicator confirming supply voltage plus varistor to give over voltage protection to the source and load         </td> </tr> </tbody> </table>	Housing Colour & Indication		T0	 Transparent housing with Bipolar LED indicator confirming supply voltage	T1	 Transparent housing with Bipolar LED indicator confirming supply voltage plus varistor to give over voltage protection to the source and load	<b>R</b> <table border="1" style="width: 100%; border-collapse: collapse;"> <thead> <tr><th>LED colour</th></tr> </thead> <tbody> <tr><td>R</td><td>Red</td></tr> </tbody> </table>	LED colour	R	Red	 <table border="1" style="width: 100%; border-collapse: collapse;"> <thead> <tr><th colspan="2">Connection type</th></tr> </thead> <tbody> <tr><td>0</td><td>PG Cable entry</td></tr> <tr><td>1</td><td>Moulded cable (with 2metre length)</td></tr> </tbody> </table>	Connection type		0	PG Cable entry	1	Moulded cable (with 2metre length)
Voltage																										
A	220V AC																									
G	24V AC																									
W	24V DC																									
Housing Colour & Indication																										
T0	 Transparent housing with Bipolar LED indicator confirming supply voltage																									
T1	 Transparent housing with Bipolar LED indicator confirming supply voltage plus varistor to give over voltage protection to the source and load																									
LED colour																										
R	Red																									
Connection type																										
0	PG Cable entry																									
1	Moulded cable (with 2metre length)																									

#### Example

The Ordering no for 3/2 NO Single solenoid valve (1/4"), 24V DC, connectors with LED of Transparent colour housing with Bipolar LED and varistor, Red colour LED with moulded cable: **DS335SR61-WT1R1**

#### Coil spare ordering no.

Coil ( without connector )	Ordering no.	
	AC	DC
220	AC23A	- NA -
110	AC23B	DC24Q
48	AC23D	DC24S
24	AC23G	DC24W
12	- NA -	DC24R

#### Flame proof coil spare ordering no.

Coil	Ordering no.	
	AC	DC
220	SC3056	- NA -
24	- NA -	SC3057