

MANUALLY OPERATED VALVE - 1/8

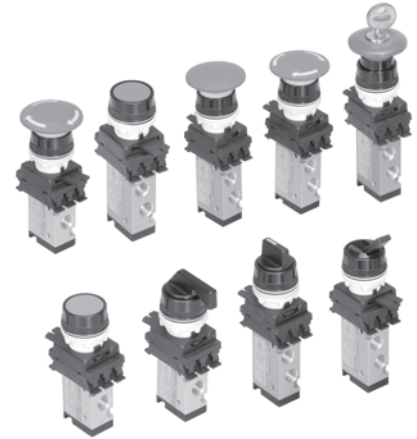
Series DS2

Cat No DS2 - 01 - 12

PANEL MOUNTING VALVE - G1/8

Features

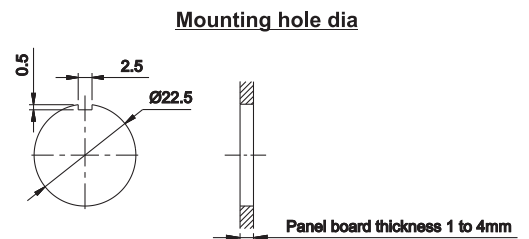
- Spool design
- Suitable for Panel mounting
- Mounting provision for individual unit
- Basic unit common for all the switches
- Wide range of switches available



Technical Specifications

Model	DS2
Type	3/2 & 5/2
Design	Spool type
Port size	Inlet, Outlet, Exhaust - G1/8
Medium	Compressed air - Dry, filtered, lubricated
Working pressure range	1 to 8 bar
Panel board thickness	1 to 4mm
Recommended oil for lubrication	ISO VG32 (Servo system 32)
Ambient temperature	-10° to +60° C
Medium temperature	+5° to +50° C
Flow @	450 lts/min
Materials of construction	Aluminium, Nitrile, Engineering plastics

@ Inlet pressure 6 bar, and pressure drop 1 bar



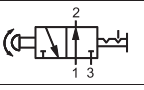
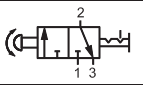
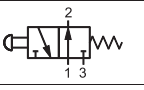
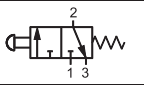
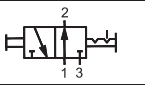
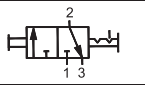
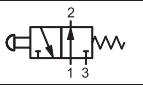
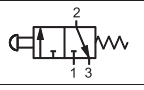
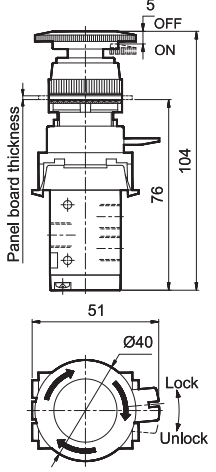
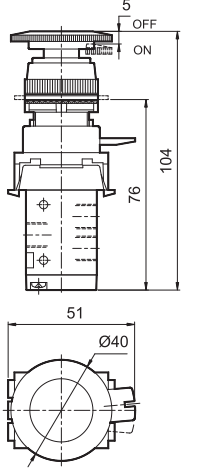
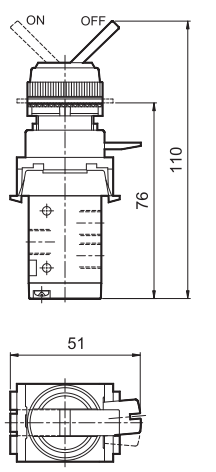
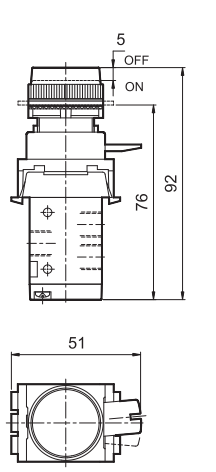
3/2 Panel mounting valve			5/2 Panel mounting valve	
Ordering No	NO - DS234P60	NC - DS244P60	Ordering No	DS254P60
Symbol			Symbol	

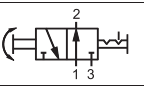
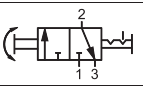
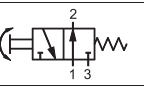
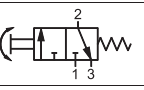
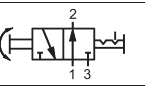
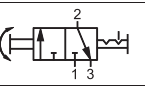
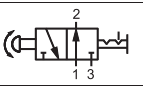
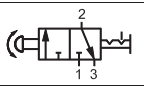
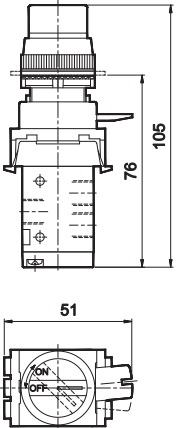
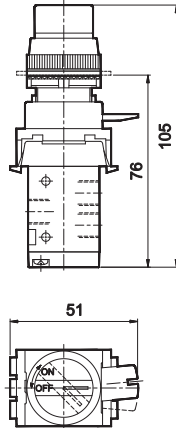
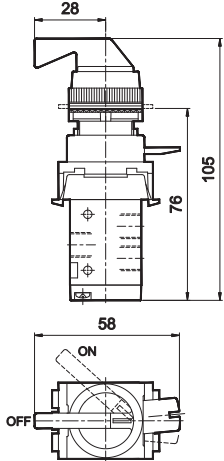
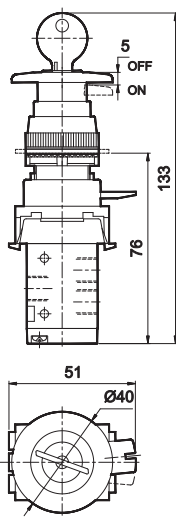
MANUALLY OPERATED VALVE - 1/8

Series DS2

Cat No DS2 - 01 - 12

3 / 2 Panel mounting valve with Actuator

Mushroom head " Push turn "		Mushroom head " Push function "		Tip head		Flush head	
Colour	Ordering No	Colour	Ordering No	Colour	Ordering No	Colour	Ordering No
Red	NO - DS234P60-MT1A NC - DS244P60-MT1A	Red	DS234P60-MP1A DS244P60-MP1A	Black	DS234P60-TH3A DS244P60-TH3A	Red	DS234P60-FH1A DS244P60-FH1A
		Green	DS234P60-MP2A DS244P60-MP2A			Green	DS234P60-FH2A DS244P60-FH2A
		Black	DS234P60-MP3A DS244P60-MP3A				
<div style="display: flex; justify-content: space-around;"> <div style="text-align: center;">NO </div> <div style="text-align: center;">NC </div> </div>		<div style="display: flex; justify-content: space-around;"> <div style="text-align: center;">NO </div> <div style="text-align: center;">NC </div> </div>		<div style="display: flex; justify-content: space-around;"> <div style="text-align: center;">NO </div> <div style="text-align: center;">NC </div> </div>		<div style="display: flex; justify-content: space-around;"> <div style="text-align: center;">NO </div> <div style="text-align: center;">NC </div> </div>	
							

Symmetric head		Symmetric head " Spring return "		Lever head		Mushroom head with lock and key	
Colour	Ordering No	Colour	Ordering No	Colour	Ordering No	Colour	Ordering No
Black	NO - DS234P60-SH3A NC - DS244P60-SH3A	Black	NO - DS234P60-SR3A NC - DS244P60-SR3A	Black	DS234P60-LH3A DS244P60-LH3A	Red	DS234P60-ML1A DS244P60-ML1A
<div style="display: flex; justify-content: space-around;"> <div style="text-align: center;">NO </div> <div style="text-align: center;">NC </div> </div>		<div style="display: flex; justify-content: space-around;"> <div style="text-align: center;">NO </div> <div style="text-align: center;">NC </div> </div>		<div style="display: flex; justify-content: space-around;"> <div style="text-align: center;">NO </div> <div style="text-align: center;">NC </div> </div>		<div style="display: flex; justify-content: space-around;"> <div style="text-align: center;">NO </div> <div style="text-align: center;">NC </div> </div>	
							

MANUALLY OPERATED VALVE - 1/8

Series DS2

Cat No DS2 - 01 - 12

5 / 2 Panel mounting valve with Actuator

Mushroom head " Push turn "		Mushroom head " Push function "		Tip head		Flush head	
Colour	Ordering No	Colour	Ordering No	Colour	Ordering No	Colour	Ordering No
Red	DS254P60-MT1A	Red	DS254P60-MP1A	Black	DS254P60-TH3A	Red	DS254P60-FH1A
		Green	DS254P60-MP2A			Green	DS254P60-FH2A
		Black	DS254P60-MP3A				

Symmetric head		Symmetric head " Spring return "		Lever head		Mushroom head with lock and key	
Colour	Ordering No	Colour	Ordering No	Colour	Ordering No	Colour	Ordering No
Black	DS254P60-SH3A	Black	DS254P60-SR3A	Black	DS254P60-LH3A	Red	DS254P60-ML1A

How to order

While ordering Panel mounting valve with actuator, mention the ordering number given in the corresponding tables.

Subject to change