



# FLOW METER

## Series FM1

Cat No FM1 - 01 - 01 - B

### FLOW METER - G3/4

#### Features

- 2 line LCD display for monitoring flow rate and total value
- Fast response
- Analog output for monitoring flow rate



#### Application

- Air audit
- Leakage detection

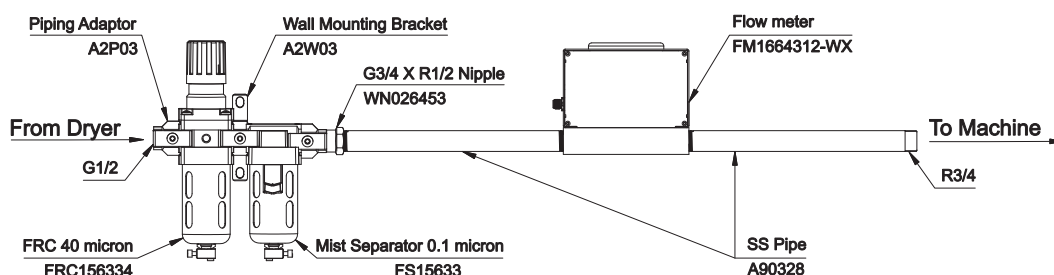
#### Technical Specifications

Model	<b>FM166431X-WX</b>	
Medium	Compressed air, Filtered #, Non-lubricated	
Port size	G3/4	
Measuring flow range	60 to 3000 lts/min	
Maximum operating pressure	8 bar	
Medium	Compressed air	
Medium temperature	0° to 50° C	
Power Supply	Voltage	24V DC ±10%
	Power consumption	3 Watts
	Current consumption	0.125A at 24V DC
Analog output	Voltage	0-10V (Output impedance 10KΩ), Output accuracy ±3% of full span
	Current	4-20mA (Output impedance 270Ω), Output accuracy ±3% of full span
Accuracy	±6% of full span or less	
Repeatability	±1% of full span or less	
Mounting	Horizontal	
Weight	1.750 Kg	

# Use a Filter (40 micron) and a Mist separator (0.1 micron) in addition at the inlet.

#### Precautions

1. Note the direction of air flow before installation and connect piping accordingly
2. Flush pipings for dirt, dust, rust and other foreign particles.
3. Install in clean atmosphere.
4. Nipples of taper threads (R) to be used with teflon tape. Ensure teflon tape does not enter the unit during tightening. Nipples of straight threads (G) to be used with sealing washer.
5. Mount the flow meter in line, next to a dual filter with 40 micron and 0.1 micron respectively coupled with appropriate piping arrangement and maintain the pipe length min 300mm as per ISO 6358 standards

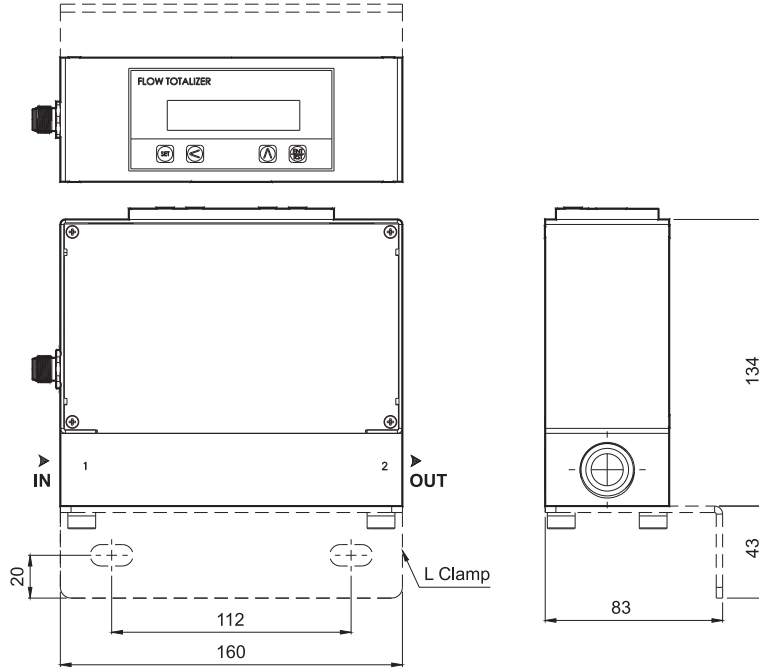


# FLOW METER

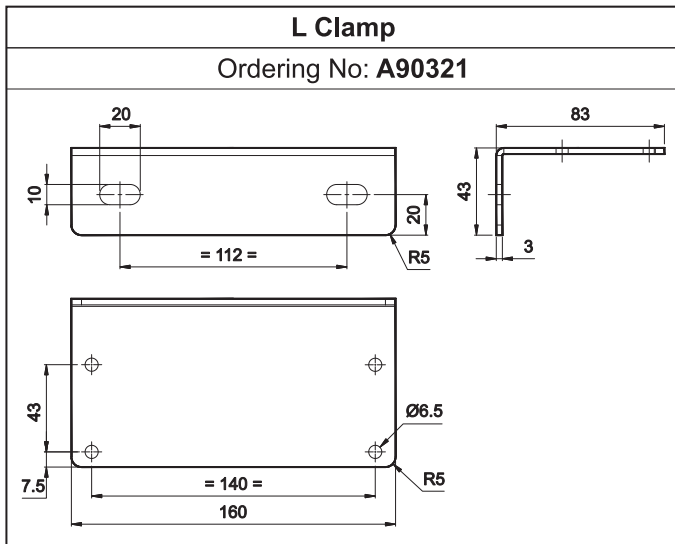
## Series FM1

Cat No FM1 - 01 - 01 - B

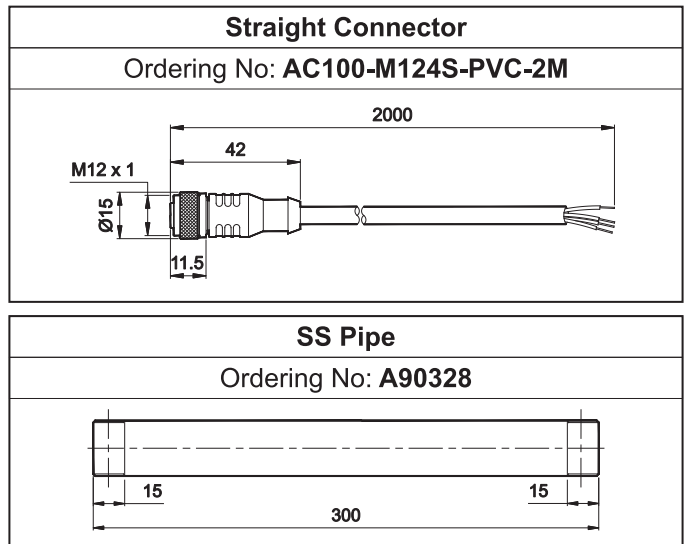
### Model FM166431X-WX



### Mounting



### Accessories



### How to order

<b>FM1</b>	<b>664</b>	<b>3</b>	<b>1</b>	<b>1</b>	<b>—</b>	<b>W</b>	<b>2</b>
<b>Body &amp; Port size</b>	<b>Flow Range</b>	<b>Medium</b>	<b>Unit</b>	<b>Operating voltage</b>	<b>Output signal</b>		
664 G3/4	3 60 - 3000 lpm	1 Compressed air	1 LPM 2 CFM	W 24V DC	1 0-10V DC 2 4-20 mA		

### Ordering example:

Flow meter, port size G3/4, Flow range 60-3000 LPM, Compressed air medium, CFM unit, Operating voltage - 24V DC, Output 4-20mA : **FM1664312-W2**

Subject to change